

Remote Plug System

The Remote Plug System allows for safe and easy blocking of gravity pipelines without entering the manhole.



TECHNICAL GUIDE: **TA2.2**

Applications

Used to block flow for maintenance in sewer and storm water systems

Back plug for sewer air tests

Ideal for flow diversion

Some plugs offer a full bypass allowing both testing and monitoring of pipe systems

Product Attributes

Natural Rubber – great sealing properties as well as excellent expansion and memory

Lightweight, short and flexible.

Air lines to inflate the plugs can be custom made to required lengths

Handle lengths can be screwed together for unlimited handle length

Handle lengths can be screwed together for unlimited handle length

Plug is securely attached to the pole eliminating the chance of plugs being washed down lines when deflating

All metal parts made from corrosion resistant materials

Quality

ISO 9001:2008 Quality Management Standard

Remote Plug System allows the quick and easy positioning of pipe plugs from outside manhole chambers, eliminating the need to enter confined spaces.

Design Specifications

- Poles manufactured using a durable 25 mm galvanised steel pipe.
- Plugs manufactured using a mixture of a natural rubber compound with rayon/kevlar reinforcement.
- Handles come in connectable 1.8 m lengths.
- Will fit plugs from 100 mm to 600 mm.

Application

- Plug is held on the pole by a flexible elbow allowing the plug to be easily inserted into a pipeline from above ground - outside the manhole chamber well clear of the danger zone.
- Pneumatic plugs are easily inflated using a standard foot pump or a small compressor.
- Plug is inflated and deflated from outside the chamber, keeping the user away from any flow build-up that may have incurred behind the plug.
- All plugs have a tethering ring in the face plate allowing the plugs to be secured not only by the pole but also by a securing rope.

TABLE 1 Products available

Product Code	Description
PLUGEPHP1.5	Plug Easy Place Handle Pole 1.5m
PLUGEPHJ	Plug Easy Place Handle Joiner
PLUGEPHFE	Plug Easy Place Handle Flexi Elbow

Refer to our Technical Guide TA2.1 Cherne Pneumatic Test Plugs for our range of plugs.

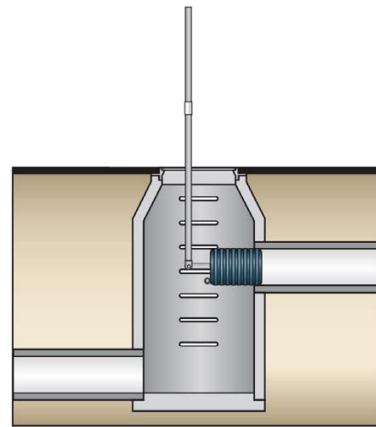


FIG. 1 Remote Plug System

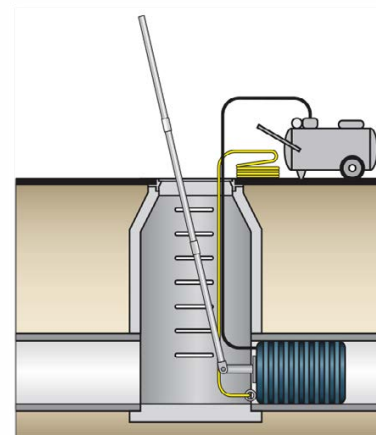


FIG. 2 Remote Plug System with Compressor



Scan for more
information

Disclaimer: While every effort has been made to ensure that the information in this document is correct and accurate, users of Hygrade Water product or information within this document must make their own assessment of suitability for their particular application. Product dimensions are nominal only, and should be verified if critical to a particular installation. No warranty is either expressed, implied, or statutory made by Hygrade Water unless expressly stated in any sale and purchase agreement entered into between Hygrade Water and the user.

June 2019