

J-Pit Rodding Eye

Rotomolded LMDPE terminal elbow for sewer or stormwater applications.



TECHNICAL GUIDE: **TC2.2**

Applications

Point of supply, boundary connection for house laterals, head of line, rodding point, CCTV access

Product Attributes

Suits most types and sizes of pipe up to 250 mm

Manufactured from state-of-the-art polyethylene, it has outstanding impact, corrosion and UV resistance

Easy installation without the requirement of heavy lifting or machinery

Does not require concrete encasement

J Pit allows multiple inlets to be attached at any angle between 45° and 315° from the downstream

Approvals/Standards

WSA 137 – 2013 Maintenance Shafts and Maintenance Chamber for Sewerage in the 150mm and 225mm sizes with PVC RRJ, PVC SWJ and PE Spigot connections

Quality

ISO 9001:2008 Quality Management Standard

As part of the Smartstream family of products, the J Pit is an excellent and durable alternative for rodding eye and point of supply applications.

Product Overview

- Lightweight and durable. No heavy lifting equipment required.
- With J Pit multiple inlet combinations are possible. J Pit allows multiple inlets to be attached at any angle between 45° and 315° from the downstream.

Design Specifications

- Rotationally molded one piece unit.
- All units are pressure tested prior to despatch.
- Radius and diameter of curve is designed to accommodate all CCTV and rodding systems.
- 225 mm RRJ riser connection with sealed PVC lid.
- Can be manufactured with up to three 100 mm (or smaller) inlets.
- In order to manufacture the product to customer requirements, a drill order sheet must be completed and sent to Hygrade fabrication through your local Hygrade representative.

Installation

- Bedding material must be in accordance with local council requirements.
- Connect downstream and ensure the top of the J Pit is level.
- Pack/tamp to support product.
- Connect upstream(s).
- Connect vertical riser and cut to length.
- Attach solvent welded riser cap.
- Backfill and compact.
- Install access cover (top hat).

As each Smartstream Smart Pit is made to suit your individual requirements, please contact Hygrade Water with your project details for pricing.

TABLE 1 Smartstream J Pit components

Item	Description	Material
A	Maintenance shaft cover/top hat	Cast Iron
B	Vertical riser cap	PVC
C	225 PVC riser	PVC
D	100 mm PE-PVC RRJ Connector	PE
E	150 mm PE-PVC RRJ Connector	PE

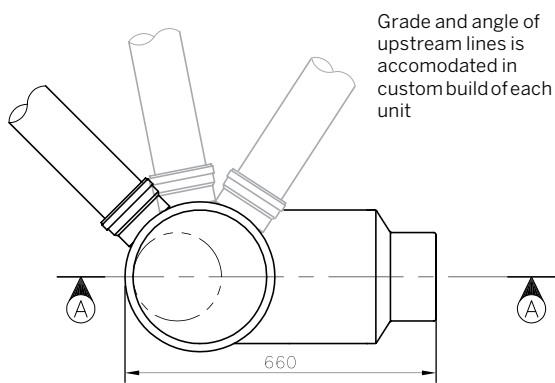


FIG. 1 Plan

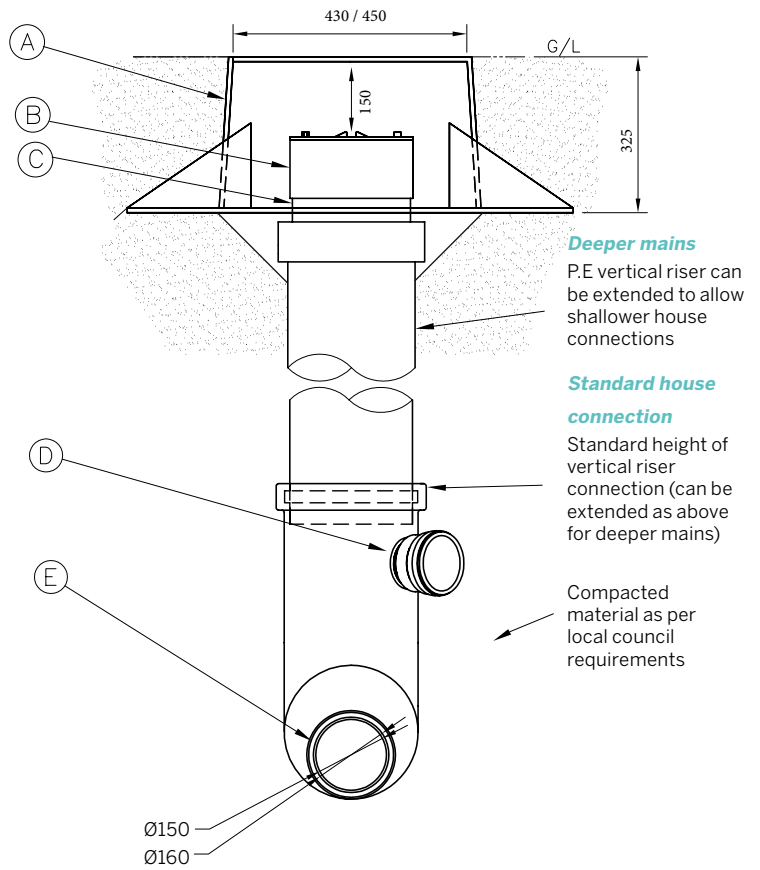


FIG. 2 Front View

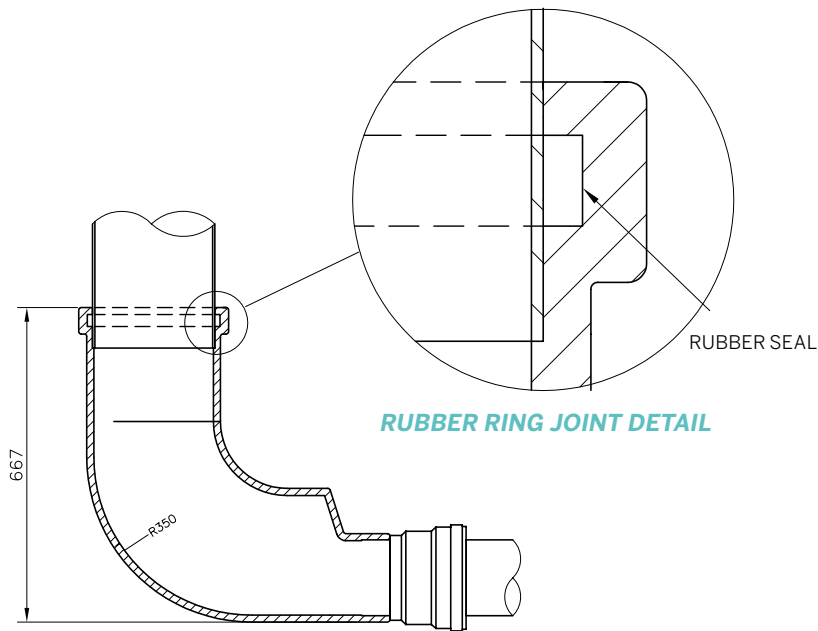
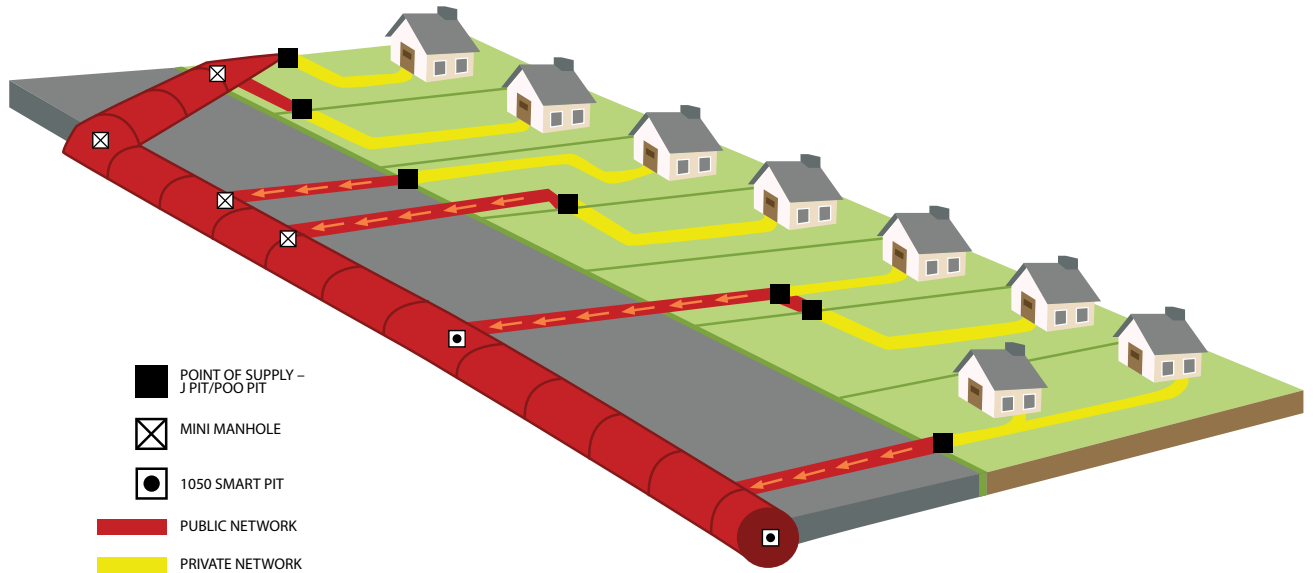


FIG. 3 SECTION 'A-A' SHOWN WITH 150 DIA RRJ FITTING

Typical Smartstream Application



TC2.2 SMARTSTREAM J-PIT RODDING EYE | TANKS & CHAMBERS | PG 4

Smartstream Family of Products

The J Pit is part of the Smartstream family of products, the most complete portfolio of PE solutions for drainage and sewer applications.



Scan for more information

Disclaimer: While every effort has been made to ensure that the information in this document is correct and accurate, users of Hygrade Water product or information within this document must make their own assessment of suitability for their particular application. Product dimensions are nominal only, and should be verified if critical to a particular installation. No warranty is either expressed, implied, or statutory made by Hygrade Water unless expressly stated in any sale and purchase agreement entered into between Hygrade Water and the user.

March 2019

0800 494 723
hygradewater.co.nz

102 Neilson Street
Onehunga, Auckland 1061, New Zealand
PO Box 58 142, Botany, Auckland 2163

