

ÖZKAN Nozzle Check Valve

Designed to prevent backflow in several applications through a dynamic design using springs allowing a quick response to flow changes.



TECHNICAL GUIDE: **VH4.8**

Applications

Raw water

River water

Grey water

Screened effluent

Product Attributes

Quick response to flow changes

Short closing stroke

Low head loss

High corrosion resistance

Approvals/Standards

EN 558-1 Series 13 and 14 face to face dimensions

Working tests to EN 1074 EN 12266

AS4087 Flanges

Quality

ISO 9001:2008 Quality Management

ISO 14001:2004 Environmental Management

OHAS 18001:2007 Health and Safety

Özkan Nozzle Check Valve

Design Specifications

Özkan Nozzle Check Valves are a speciality type of check valve that brings unique design features together for high performance applications.

These valves have non-slam closure, low head loss, self-cleaning seat area and can handle applications in raw, grey and river water as well as screened effluent.

Diameter	Pressure
DN300-1000	PN 10-25

Design Features

TABLE 1 Design Features

Part No.	Description	Material
1	Body	Ductile iron EN-GJS-400-15
2	Disc	Ductile iron EN-GJS-400-15
3	Bearing	Bronze
4	Shaft	Stainless steel X20Cr13
5	Stopper	Stainless steel X20Cr13
6	Spring	Stainless steel
7	Bolt	Stainless steel A2
8	Nut	Stainless steel X20Cr13
9	Setscrew	Stainless steel A2

* Other material grades are available upon request.

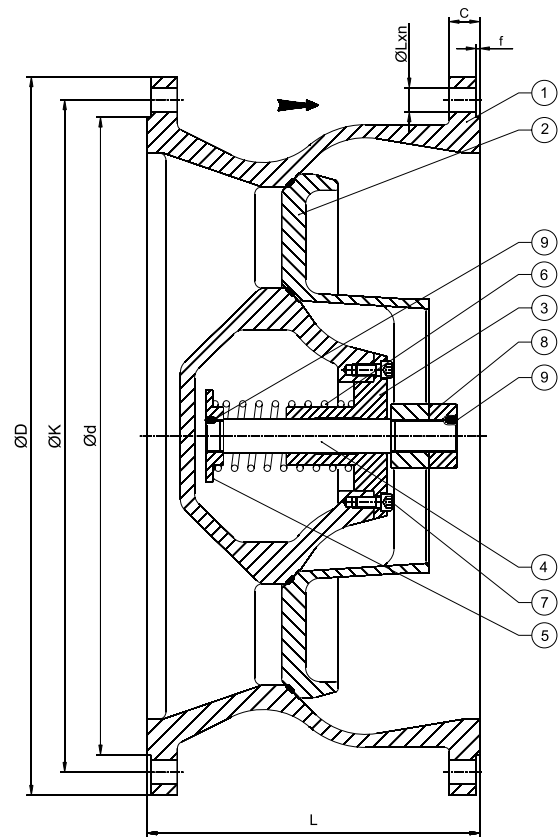


FIG. 1 Nozzle Check Valve Design Features

Technical Specifications

TABLE 2 Nozzle Check Valve PN10 Technical Information

DN	PN	ØD	Øk	Ød	C	f	ØLxn	L	Weight (KG)
300	10	460	400	370	24.5	4	23x12	270	70
350	10	520	460	429	27	4	23x16	290	113
400	10	580	515	480	28	4	28x16	310	146
450	10	615	565	530	25.5	4	28x20	330	178
500	10	670	620	582	26.5	4	28x20	350	255
600	10	780	725	682	30	5	31x20	390	395
700	10	895	840	794	32.5	5	31x24	430	475
800	10	1015	950	901	35	5	34x24	470	600
900	10	1125	1050	1001	46.5	5	34x28	510	1020
1000	10	1255	1160	1112	50	5	37x28	550	1300

*Please contact us for other sizes and pressure rates.

TABLE 3 Nozzle Check Valve PN16 Technical Information

DN	PN	ØD	Øk	Ød	C	f	ØLxn	L	Weight (KG)
300	16	460	410	370	24.5	4	28x12	270	70
350	16	520	470	429	27	4	28x16	290	-
400	16	580	525	480	28	4	31x16	310	146
450	16	640	585	548	30	4	31x20	330	178
500	16	715	650	609	31.5	4	34x20	350	255
600	16	840	770	720	36	5	37x20	390	395
700	16	910	840	794	39.5	5	37x24	430	-
800	16	1025	950	901	43	5	41x24	470	685
900	16	1125	1050	1001	46.5	5	41x28	510	1110
1000	16	1255	1170	1112	50	5	44x28	550	1300

*Please contact us for other sizes and pressure rates.

** PN25 & PN40 Nozzle Check Valves are manufactured upon request.



Scan for more
information

Disclaimer: While every effort has been made to ensure that the information in this document is correct and accurate, users of Hygrade Water product or information within this document must make their own assessment of suitability for their particular application. Product dimensions are nominal only, and should be verified if critical to a particular installation. No warranty is either expressed, implied, or statutory made by Hygrade Water unless expressly stated in any sale and purchase agreement entered into between Hygrade Water and the user.

January 2020

0800 494 723
hygradewater.co.nz

102 Neilson Street
Onehunga, Auckland 1061, New Zealand
PO Box 58142, Botany, Auckland 2163

